

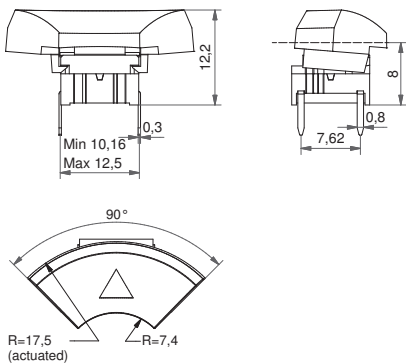
- Round solution
- Designed for navigating a display or controlling a unit
- 90° R=17.5 mm; Ø14.3 mm (Ø34.25 mm)
- h =12.2 mm; 11.7 mm
- Material: ABS/polycarbonate
- Temp. Range:
  - Solid cap: -40/+65°C
  - Transparent cap: -40/+85°C
- Panel cut-out: 1ZB-R<sub>1</sub> 7,1 R<sub>2</sub> 17,5 – 17,75 90° 1ZCS-Ø14.7
- navimec™ panel cut-out: Ø35,0 - 35,5 Depending on application

All dimensions in mm

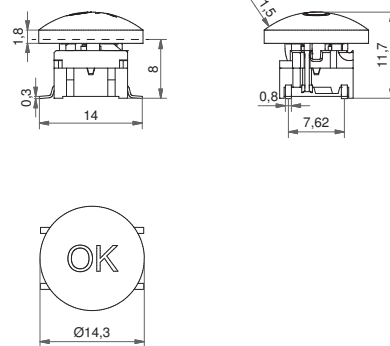


### DIMENSIONS

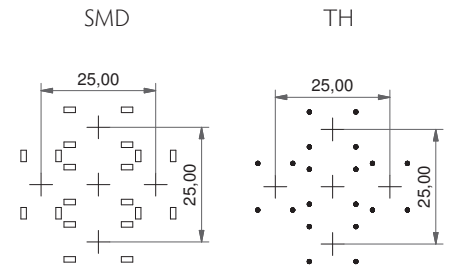
#### TH + 1ZB



#### SMD w/LED + 1ZCS



#### PCB layout for Navimec solution



We recommend using through-hole terminals for precise placing.

### ILLUMINATED – HOW TO ORDER

Switch	Mounting	Actuation force	LED	+	Cap	Legend code
5 G	<input type="checkbox"/> <input type="checkbox"/> <input type="checkbox"/>	<input type="checkbox"/> <input type="checkbox"/>	<input type="checkbox"/> <input type="checkbox"/> <input type="checkbox"/> <input type="checkbox"/>	<input type="checkbox"/>	1 Z B 1 6 L M	<input type="checkbox"/> <input type="checkbox"/> <input type="checkbox"/>
	TH9 through-hole (SH9 surface mount)	20 35 65 Q*	01 blue 22 green 42 yellow 61 white 82 red 2242 green/yellow 8222 red/green 8242 red/yellow		Frosted white with black soft touch paint and laser marking	RG1D ▲
						<input type="checkbox"/> <input type="checkbox"/> <input type="checkbox"/>
					1 Z C S 1 6 L M	R11 ⏻ R12 OK

\*For an illuminated quiet 2.0N switch add Q to the end of the switch part number.

### NON-ILLUMINATED – HOW TO ORDER

Switch	Mounting	Actuation force	+	Cap	Colour code	Legend code**
5 G	<input type="checkbox"/> <input type="checkbox"/> <input type="checkbox"/>	<input type="checkbox"/> <input type="checkbox"/>	<input type="checkbox"/>	1 Z B	<input type="checkbox"/> <input type="checkbox"/>	<input type="checkbox"/> <input type="checkbox"/> <input type="checkbox"/> pad printed legends
	TH9 through-hole (SH9 surface mount)	20 20Q 35 65			00 blue 02 green 03 grey 04 yellow 06 white 08 red 09 black	N1D ▲
				1 Z C S	30 ultra blue 40 dusty blue 42 aqua blue 50 metal dark blue 53 metal light grey 57 metal dark grey 58 metal bordeaux	<input type="checkbox"/> <input type="checkbox"/> <input type="checkbox"/>
						P3 ⏻ P10 MENU P7 SET P11 OK P8 HOME P12 ENTER P9 FUNC P13 RESET

\*\* White legends on black caps are standard, other options are available but considered custom products. See pages 34-35.

Ordering example: 4x 5GTH93561+1ZB16LM136 + 1x 5GTH93561+1ZCS16LM118 (with illumination) OR 4x 5GSH920+1ZB09 + 1x 5GSH920+1ZCS09 (without illumination) OR \*5GTH92001Q (illuminated quiet version)

Please see colour codes, updates of products and changes of specifications on [www.mec.dk](http://www.mec.dk)

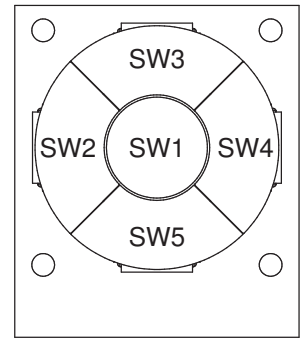
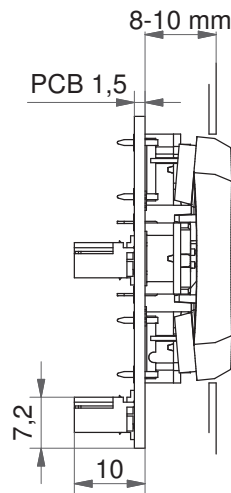
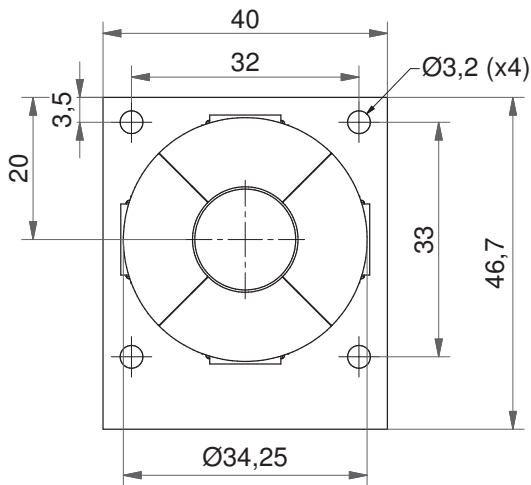


- Module should be attached to the front plate with bolts (bolts not supplied by MEC)
- Round solution
- Ø34.25 mm
- h = 11.7 mm; 12.2 mm
- Temp. Range:
  - Solid cap: -40/+65°C
  - Transparent cap: -40/+85°C
- Recommended panel cut-out: Ø35,0 - 35,5 Depending on application

All dimensions in mm

## DIMENSIONS

### Navimec Module



When the 1ZB is activated the diameter changes from 34,25 mm to 35,0 mm

## HOW TO ORDER

navimec<sup>™</sup> Module ordering options:

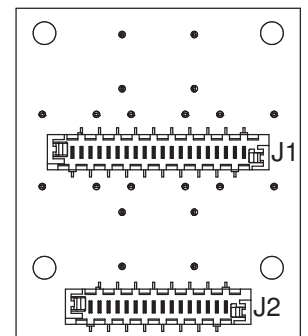
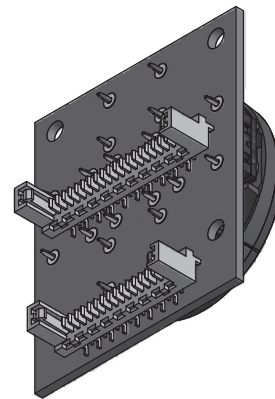
- navimec<sup>™</sup> Module excl. keycaps
- navimec<sup>™</sup> Module incl. keycaps
- navimec<sup>™</sup> Module incl. keycaps with legends
- Illuminated navimec<sup>™</sup> Module excl. keycaps
- Illuminated navimec<sup>™</sup> Module incl. keycaps with legends

Part no. for PCB and connector - 9810130

Part no. for switches and caps:

navimec<sup>™</sup> Module has many customisation options regarding actuation force, cap and LED colours and legends. Because of that ordering is based on part numbers of separate parts instead of one specific part number. MEC has the switches mounted on the module before delivery, which is included in the module price.

See previous page for information on switch and cap options as well as the examples below.



SEE THE CIRCUIT DIAGRAM AND CONNECTOR INFO ON PAGE 43

Ordering example: 9810130 + 4x 5GTH920 + 1x 5GTH920 (without caps) OR 9810130 + 4x 5GTH965+1ZB42 + 1x 5GTH965+1ZCS42 (with caps) OR 9810130+ 4x 5GTH93501+1ZB16LM136 + 1x 5GTH93501 +1ZCS16LM118 (painted caps with laser engraved legends)

Please see colour codes, updates of products and changes of specifications on [www.mec.dk](http://www.mec.dk)