

Technical Manual

JBL4411 L,R

SPECIFICATIONS



ACOUSTIC & ELECTRICAL SPECIFICATIONS:

- Nominal Impedance: 8 ohm
- Power Rating: 150W
- Frequency Response: 45 Hz to 18 kHz (± 3 dB)
- Sensitivity: 90 dB SPL*
- Crossover Frequencies: 1.0 kHz and 4.0 kHz

SYSTEM COMPONENTS:

- Cabinet: C4411
- Grille: G4411 (62189)
- Low Frequency Transducer: 300mm (12.0 in.) Cone Transducer (128H)
- DC Resistance: 5.7 ohm $\pm 10\%$ — Copper Wire
- Mid Range Transducer: 130mm (5.0 in.) Cone Transducer (LE5-9)
- DC Resistance: 5.6 to 6.6 ohm — Copper Wire

*1 Watt (2.83 V RMS) @ 1 Meter

SYSTEM COMPONENTS: (cont'd)

- High Frequency Transducer: 25mm (1 in.) Pure Titanium Dome Transducer (044)
- DC Resistance: 6.0 ohm $\pm 10\%$ — Copper Wire
- Crossover Network: 61859, 3 Way System

AURAL SWEEP TEST SPECIFICATIONS:

- A. System Aural Sweep Test: 7.0V Input, 20 Hz to 20 kHz
- B. L.F. Aural Sweep Test: 7.0V Input, 20 Hz to 1.2 kHz
- C. M.F. Aural Sweep Test: 4.0V Input, 550 kHz to 1.2 kHz
- D. H.F. Aural Sweep Test: 2.0V Input, 2.0 kHz to 20 kHz

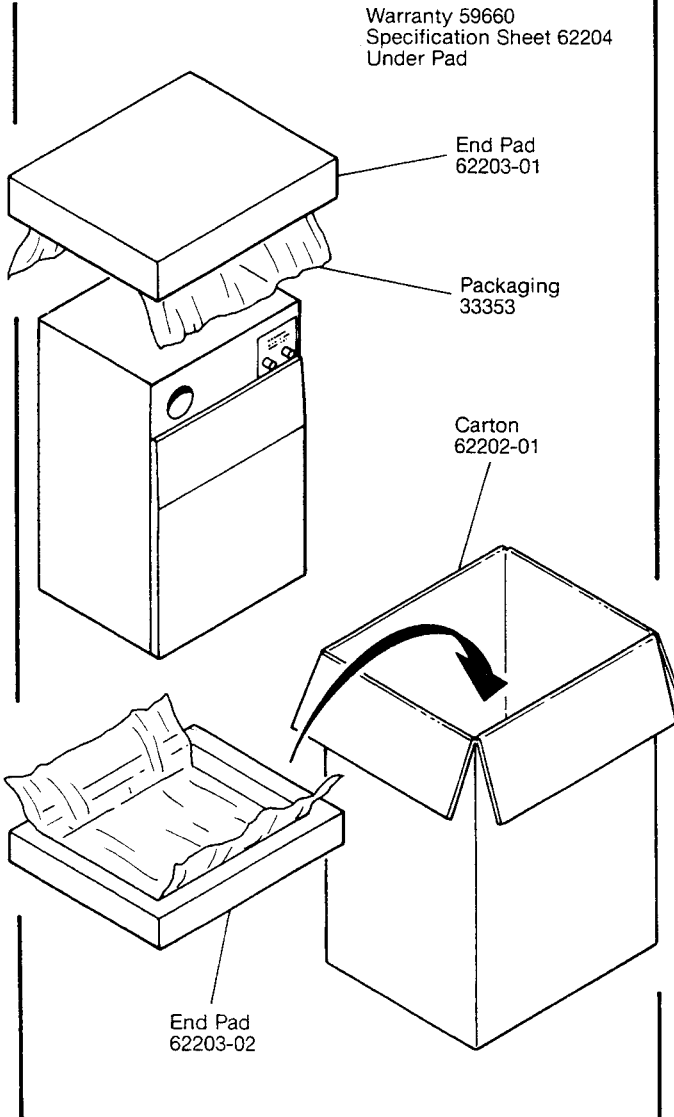
PHYSICAL SPECIFICATIONS:

- Enclosure Dimensions: 597mm x 362mm x 305mm D (23.5 x 14.25 x 12.0 in. D)
- Shipping Weight: 52 lbs. (23.6 kg)

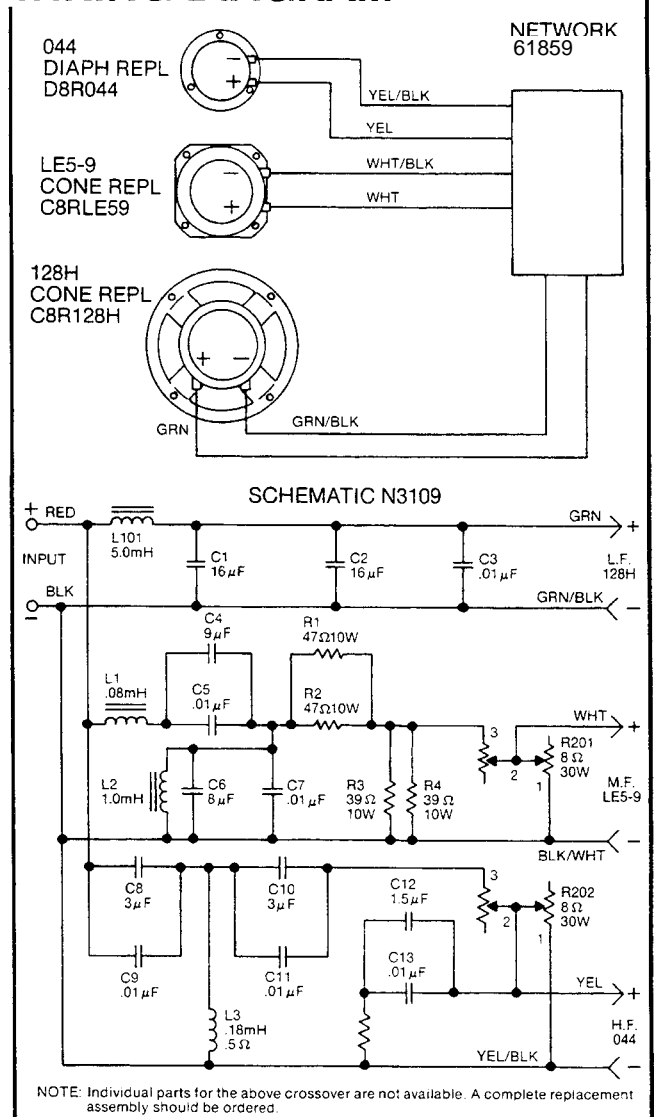
WARRANTY INFORMATION:

- Refer to the Warranty Statement packed with each product.

PACKAGE



WIRING DIAGRAM

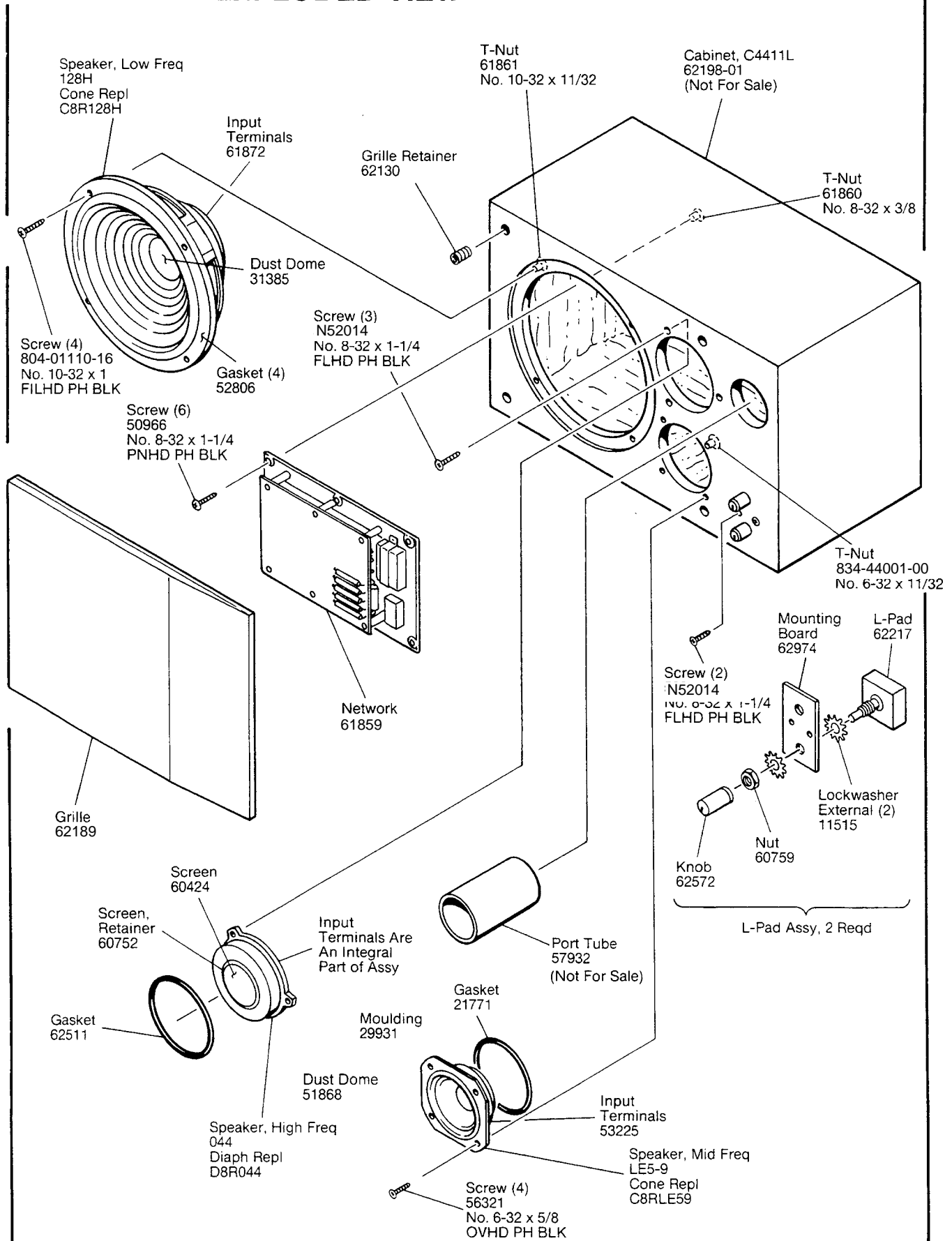


NOTE: Individual parts for the above crossover are not available. A complete replacement assembly should be ordered.

JBL4411 L,R REV C

JBL4411 L,R

COMPONENT EXPLODED VIEW



JBL4411 L,R