

Aug. 9, 1927.

1.638,245

C. C. DAVIS

LOUD SPEAKER

Filed July 17, 1925

Fig. 1.

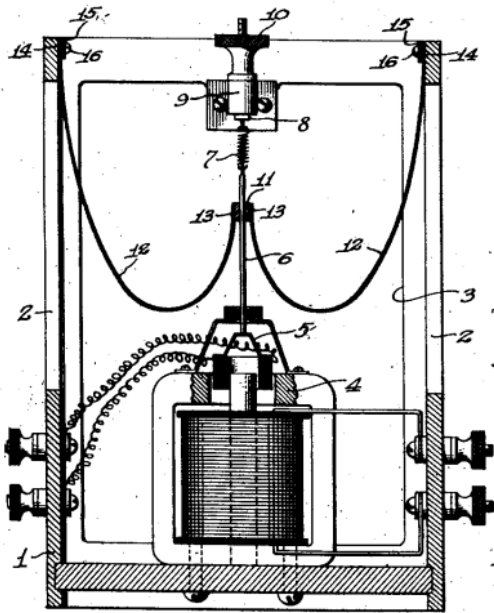


Fig. 2.

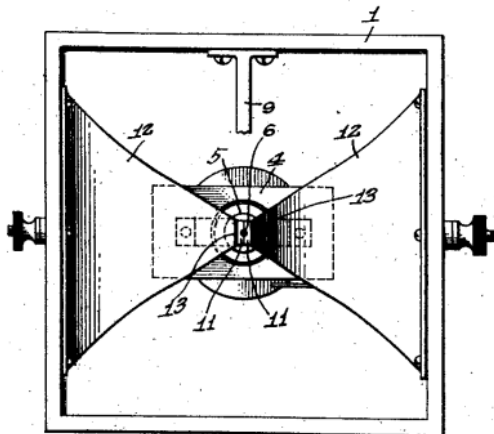
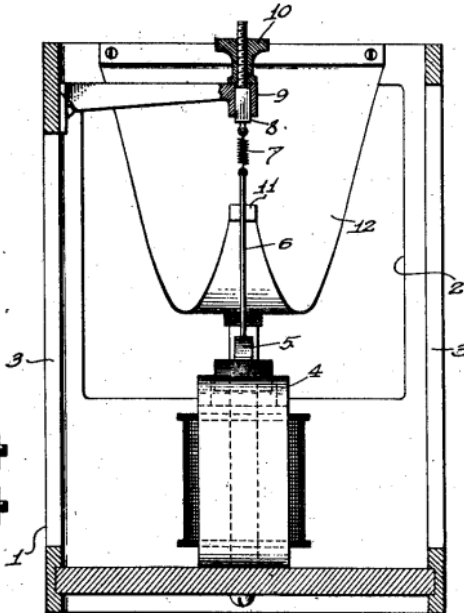


Fig. 3.

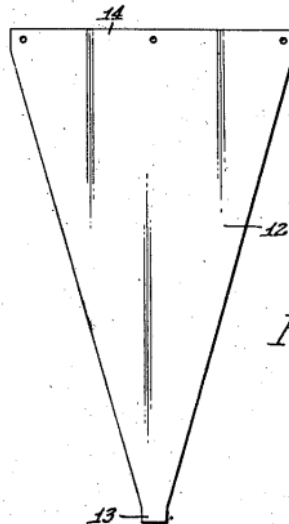


Fig. 4.

Inventor

Charles Crawford Davis,  
*Charles Crawford Davis*

Attorney

384