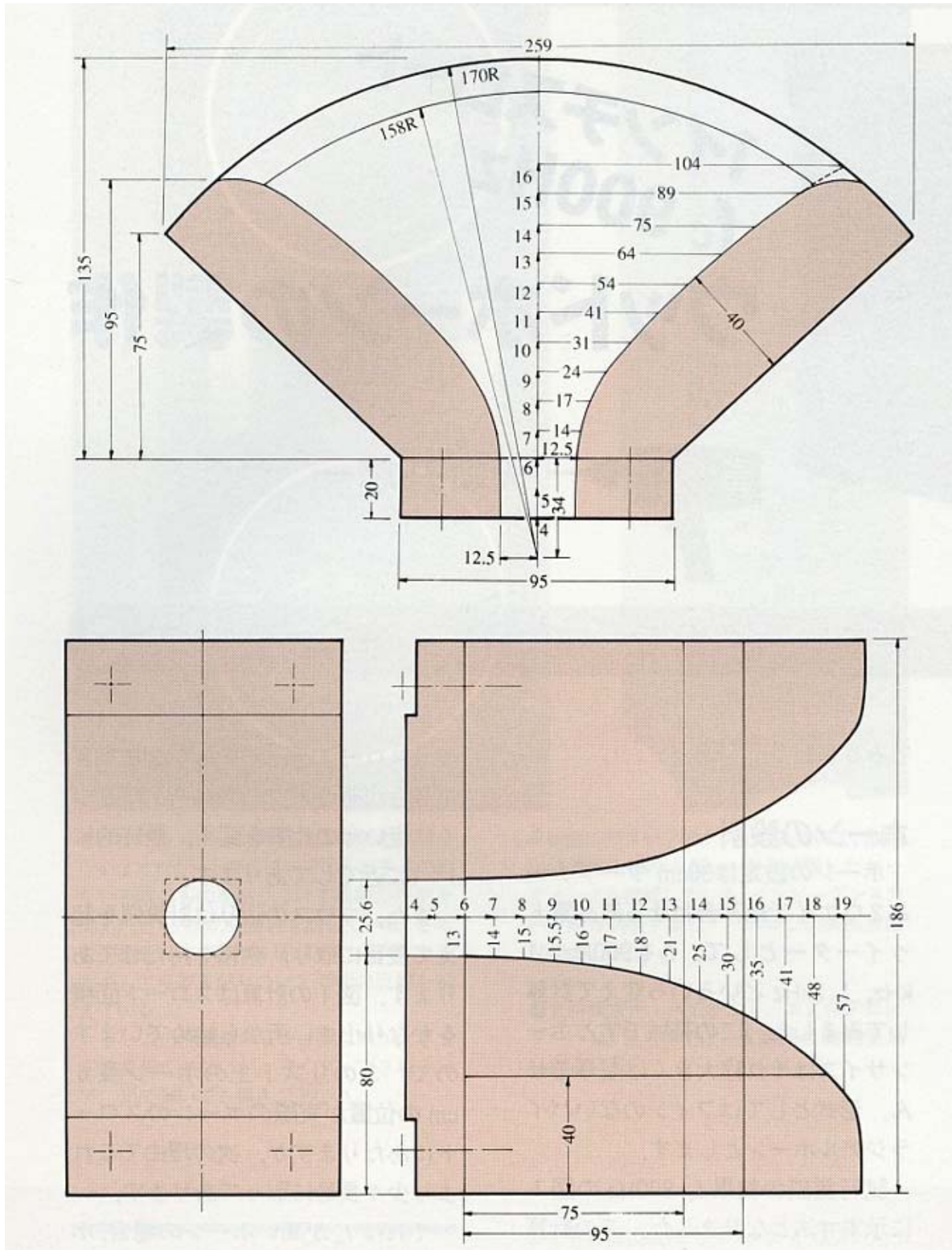
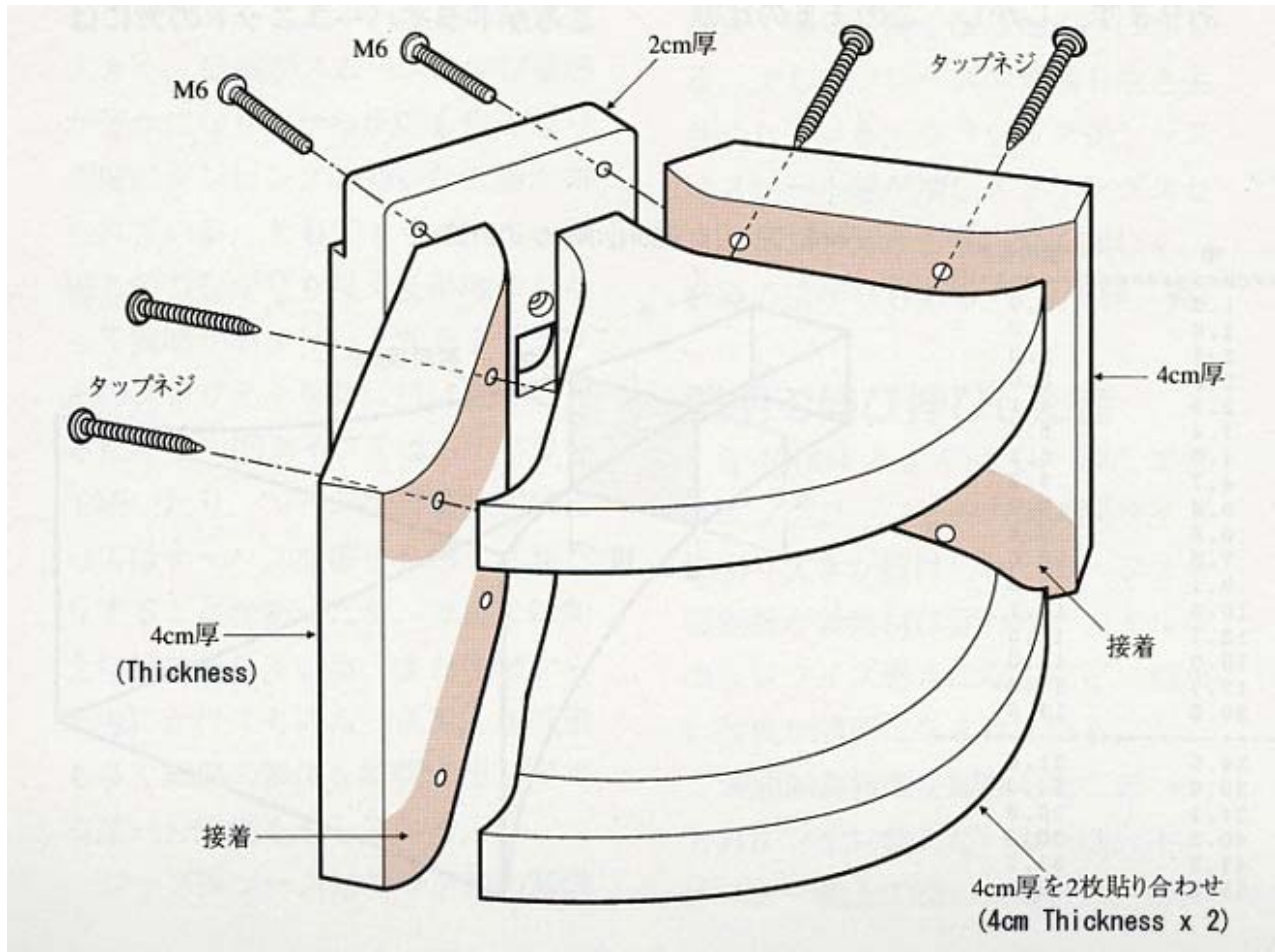


A-1K Horn Drawings



A-1K Horn Assembly Drawing



Assembly drawing is reference only. It depends upon availability of wood materials including thickness and others. Please refer to the Horn page of the Web for assembly process.

Unit :mm (unless otherwise noted)

Driver : 1 inch throat (TAD-TD 2001 or equivalent)

Designed by Yuichi Arai (Refer to September 1991 issue of MJ Magazine, Tokyo for details)