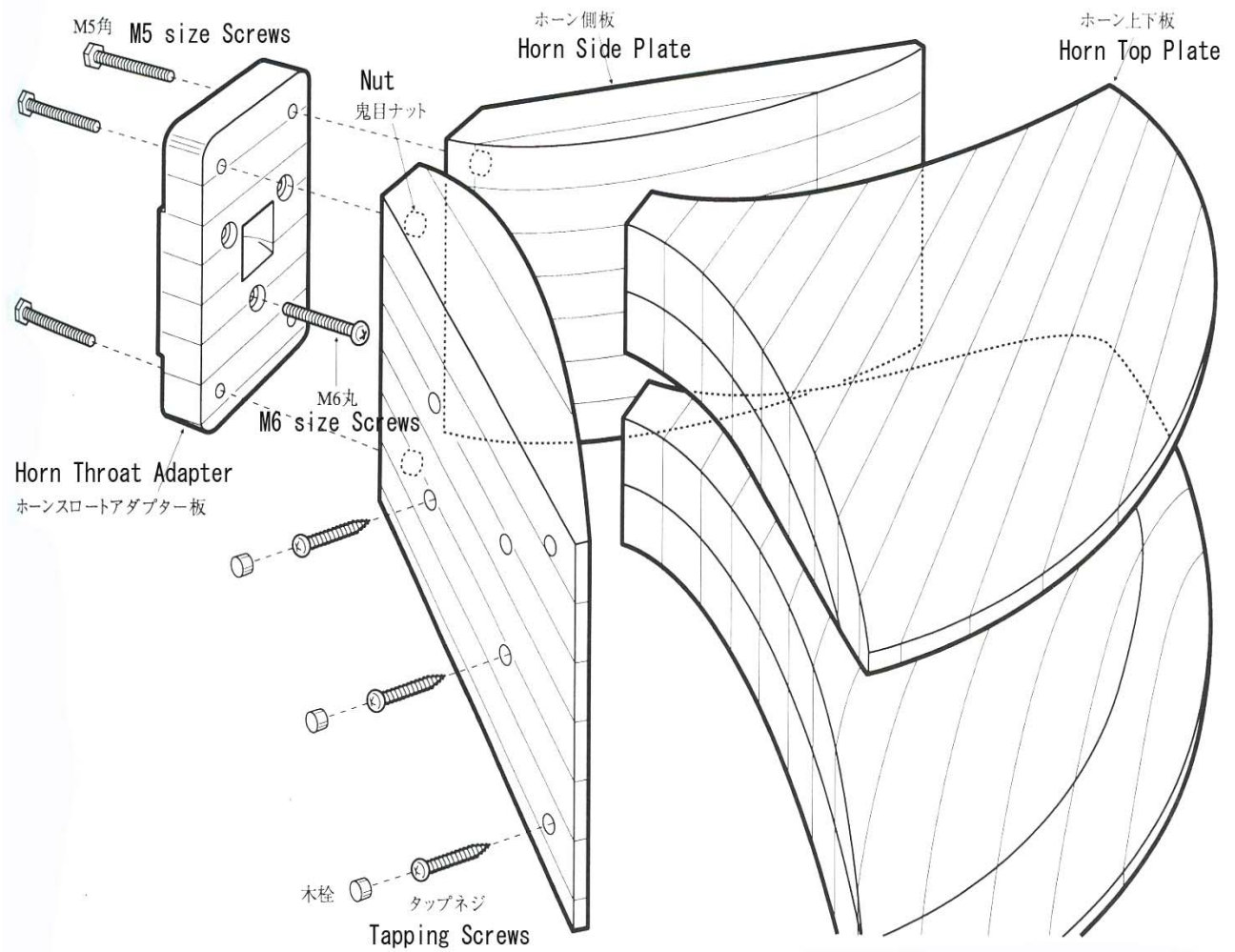
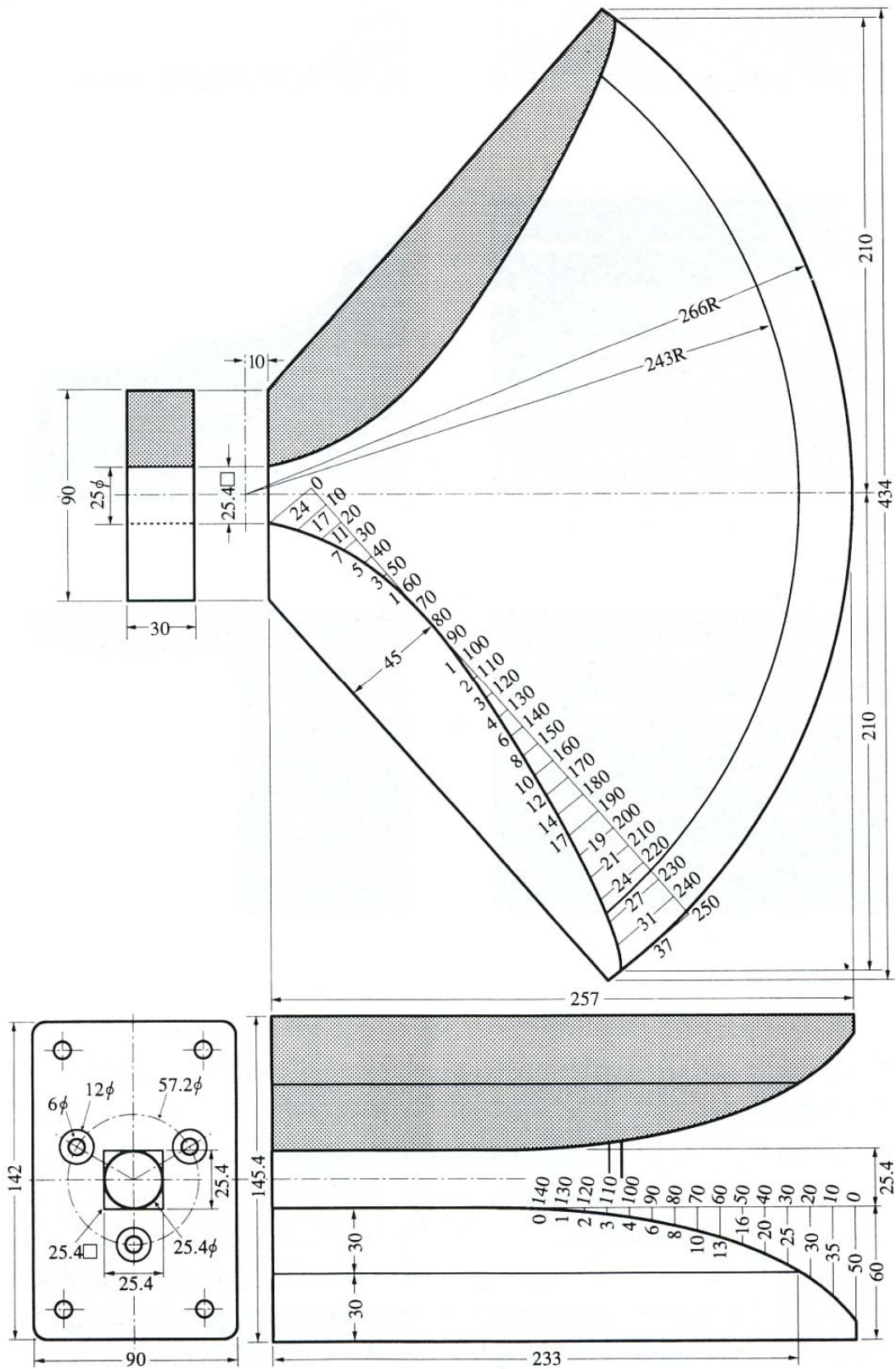


A-480FL Wood Horn Drawings





Unit :mm

Driver Interface : 1 inch (2.5cm) TAD TD-2001 or equivalent

Designed by Yuichi Arai (Refer to the October, 1994 issue of MJ magazine Tokyo for detail)